

K470 universal container –

Quality in every detail



The original since 1950

Top quality is always a question of detail. And that explains perfectly why our universal containers are not only market leaders, but also leaders in quality.

Superiority begins with the details



- 1 Lid with foamed seal all round**
Protected against wear, overloading and squashing



- 2 Sealing function** also included in corner areas



- 3 Stainless steel hinge strips** riveted into the sheet metal jacket and lid full-profile section (protection against tearing out)



- 4 Stacking corners** made from durable cast aluminium



- 5 Two heavy-duty lid holding straps**
Sealed at the ends to prevent fraying. Will not be torn out under heavy loads. Attached with special rivets (with extra-large heads)



- 6 Wider hand rest for more ergonomic design**
Wider and thicker gripping surfaces mean that the cases are even easier to handle and can be carried for longer periods without tiring



- 7 All riveted joints** with full rivets



- 8** Depending on size, **beading all round and corner beads** for added stability



Note:

The K 470 universal container is available in 25 standard sizes



- 9 Skid bars** made from sturdy aluminium sections on cases from outside dimensions 1,200 mm x 800 mm (additional reinforcement)



- 10 Edge, base, lid profile-section frame** made from full profile sections, joint fully welded to sheet metal with permanent bonding through high-strength positive locking

Tailored to your needs – more variety in Comfort fasteners

The ZARGES Comfort fasteners can be equipped with a mortise lock or with spring anti-opening feature. They can also be secured with a shackle lock or lead seal.



Fastener with plug lock



Fastener with spring anti-opening feature



Fastener with K470 clip and shackle lock



Fastener with spring anti-opening feature and plug lock

K 470 universal container



Note:

The K 470 range is rounded off by a wide selection of carefully thought-out interior fittings and numerous solutions for easier handling



Watch video online

Video for K 470 and other products available at **Merlin Industrial Products**



Ergonomically shaped, extra-wide ZARGES Comfort handles



Durable ZARGES Comfort fastener



Perfect handling, even when wearing gloves

With 25 sizes, the K 470 series offers a unique selection of standard dimensions. Their capacity ranges from 13 l to 829 l.

And if you do not find the right case for your needs in this range, ZARGES also offers individually designed special sizes.

- High-quality aluminium universal box
- Lid with stainless steel hinge strip, two belt straps and foamed seal all round
- Cast aluminium stacking corners
- High level of stability due to 3 fully-welded aluminium profile frames
- Profile-section joints fully welded
- Beading all round and corner beads for additional dimensional stability
- Extra thick 1.5-mm sheet metal for all K470 containers from basic dimensions 750 mm × 550 mm
- Ergonomic heavy-duty sprung drop handles
- ZARGES Comfort handles for ergonomic handling and loads of up to 50 kg
- Ergonomically designed and durable Comfort fasteners for at least 20,000 operating cycles
- Snap fasteners: can be secured with a plug lock, lead seals, spring anti-opening feature or a padlock (max. shackle thickness 6 mm)
- 25 standard sizes, customised sizes on request

K 470 universal container



ZARGES tip

u 4 B/X102/S/14/D
BAM 8311 ZARGES

All sizes also available with approval for the transportation of hazardous goods



See No.	Inside dimensions L × W × H, approx. mm	Outside dimensions L × W × H, approx. mm	Volume, approx. l	Weight, approx. kg	With approval for the transportation of hazardous goods, max. permissible gross weight, kg	Matching foam lining	Order No.
1	350 × 250 × 150	400 × 300 × 180	13	2.6	26.0	43860	40835
2	350 × 250 × 310	400 × 300 × 340	27	3.1	58.0	43861	40677
3	550 × 350 × 150	600 × 400 × 180	29	4.2	65.0	43862	40810
4	550 × 350 × 220	600 × 400 × 250	42	4.8	65.0	43863	40568
5	550 × 350 × 310	600 × 400 × 340	60	5.0	70.0	43864	40678
6	550 × 350 × 380	600 × 400 × 410	73	5.3	75.0	43865	40564
7	550 × 550 × 220	600 × 600 × 250	67	5.6	65.0	43866	40849
8	550 × 550 × 380	600 × 600 × 410	115	6.6	75.0	43867	40859
9	550 × 550 × 580	600 × 600 × 610	175	7.8	94.0	43868	40836
10	600 × 430 × 450	650 × 480 × 480	116	6.5	70.0	43869	40837
11	600 × 560 × 440	650 × 610 × 470	148	7.4	83.0	43871	40839
12	690 × 460 × 380	740 × 510 × 410	121	6.9	71.0	43873	40841
13	690 × 640 × 340	740 × 690 × 370	150	8.0	84.0	43874	40842
14	690 × 640 × 430	740 × 690 × 460	190	8.6	100.0	43875	40843
15	750 × 550 × 380	800 × 600 × 410	157	10.0	102.0	43877	40565
16	750 × 550 × 580	800 × 600 × 610	239	12.0	126.0	43878	40566
17	780 × 480 × 520	830 × 530 × 550	195	11.1	103.0	43879	40844
18	900 × 480 × 400	950 × 530 × 430	173	11.0	93.0	43880	40845
19	900 × 640 × 450	950 × 690 × 480	259	13.4	115.0	43881	40846
20	950 × 450 × 380	1000 × 500 × 410	162	10.9	65.0	43882	40567
21	1150 × 350 × 150	1200 × 400 × 180	60	7.5	50.0	43887	40847
22	1150 × 750 × 480	1200 × 800 × 510	414	20.0	183.0	43884	40580
23	1350 × 400 × 220	1400 × 450 × 250	119	9.5	65.0	43888	40848
24	1550 × 550 × 465	1600 × 600 × 495	396	25.0	150.0	43885	40875
25	1650 × 750 × 670	1700 × 800 × 700	829	30.0	200.0	43886	40876

Note: Clearance dimensions approx. 30 mm less than inside dimensions (length and width). Special sizes on request.

Boxes and cases

K 470 interior fittings



Foam lining

On request, all K470 containers can be equipped with a durable, abrasion-proof PE-foam lining:

Base and wall sections made from Plastazote LD 45 (specific gravity 45 kg/m³, thickness 11 mm), lid with PU nubby foam

Other materials and wall thicknesses on request

For	Inside dimensions L × W × H, approx. mm	Order No.
40835	350 × 250 × 150	43860
40677	350 × 250 × 310	43861
40810	550 × 350 × 150	43862
40568	550 × 350 × 220	43863
40678	550 × 350 × 310	43864
40564	550 × 350 × 380	43865
40849	550 × 550 × 220	43866
40859	550 × 550 × 380	43867
40836	550 × 550 × 580	43868
40837	600 × 430 × 450	43869
40839	600 × 560 × 440	43871
40841	690 × 460 × 380	43873
40842	690 × 640 × 340	43874
40843	690 × 640 × 430	43875
40565	750 × 550 × 380	43877
40566	750 × 550 × 580	43878
40844	780 × 480 × 520	43879
40845	900 × 480 × 400	43880
40846	900 × 640 × 450	43881
40567	950 × 450 × 380	43882
40580	1150 × 750 × 480	43884
40875	1550 × 550 × 465	43885
40876	1650 × 750 × 670	43886
40847	1150 × 350 × 150	43887
40848	1350 × 400 × 220	43888



Universal protection, whatever the content



Wide variety of applications

Additional charge for installation	Order No.
43860, 43861	926005
43862-43864, 43866	926006
43865, 43867-43884	926007
43885-43888	926008

Pick 'n Pluck foam

Pre-cut flexible-foam inserts made from open-cell PU foam. The fast and simple solution for single items or small batches
Shape can be changed without tools

Set includes two sheet thicknesses, lid insert nubby foam
30 mm, base foam 10 mm

Nubby foam in the lid is self-adhesive



For	Inside dimensions (L × W × H, approx. mm)	Order No.
40810, 40568	550 × 350 × 220	40735
40678, 40564	550 × 350 × 380	43854
40849	750 × 550 × 220	40736
40565	750 × 550 × 380	43856

Delivery without content

K 470 interior fittings

Individual foam inserts – made to measure

We manufacture tailor-made foam inserts in a large range of materials to provide perfect protection and functionality geared specifically to the goods you are transporting

You supply photos, drawings, 3D-data or original parts – and our designers develop the perfect inserts for your specific application

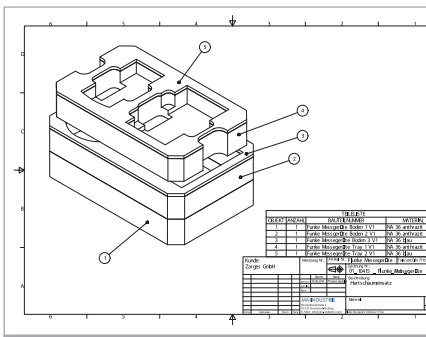
You have a choice of various colours

Antistatic, dissipative or flame-retardant designs available

Another special characteristic of these first-class foam materials is that the protective effect of the finished packaging can be calculated in advance

Based on weight, surface, drop height and sensitivity (G-value), we can develop for you packaging with optimally adapted padding thickness

The result: lowest possible raw material requirements with maximum protection



Individual design



Use of 3D-data facilitates the design project



Foam inserts that fit perfectly



Antistatic foam insert

Delivery without content



Detachable inserts for quick access to all levels



Boxes and cases

K 470 accessories

See website for full details - www.zarges.com/uk

Description	Fits	Order No.
Attaché insert	all K 470 cases except Order Nos. 40677 and 40835	40626
Toolbag	all K 470 cases except Order Nos. 40677 and 40835	40627
Lid bag, large	all K 470 cases except Order Nos. 40677 and 40835	41820
Lid bag, small	all K 470 cases	41821
Adjustable divider panel system 1	K 470 cases with inside dimensions 550 mm × 350 mm, min. height 220 mm	40730
Adjustable divider panel system 2	K 470 cases with inside dimensions 750 mm × 550 mm, min. height 380 mm	40731
Pick 'n' Pluck foam set 1	K 470 cases with inside dimensions 550 mm × 350 mm	40735
Pick 'n' Pluck foam set 2	K 470 cases with inside dimensions 750 mm × 550 mm	40736
Aluminium divider set 1	Divider panel height 215 mm, fits boxes with inside width 350 mm	40864
Aluminium divider set 2	Divider panel height 305 mm, fits boxes with inside width 350 mm	40865
Aluminium divider set 3	Divider panel height 345 mm, fits cases with inside width 450 mm	40866
W 150 dolly trolley	all K 470 cases with outside dimensions 600 mm × 400 mm	40607
W 150 dolly trolley	all K 470 cases with outside dimensions 800 mm × 600 mm	40608
W 152 dolly trolley	all K 470 cases with outside dimensions 800 mm × 600 mm	40680
Add-on castors	all K 470 cases, optimum for outside length 800 mm – 1000 mm	40738
Trolley, removable	all K 470 cases with length 600 mm – 800 mm	40739
Clip-on fixed castors	all K 470 cases from a size of 550 mm × 350 mm	40741
Clip-on swivel castors	all K 470 cases from a size of 550 mm × 350 mm	40742
Lock set	Only identical locks in one set, fits all cases designed to be equipped with locks	40832
Lock set	complete series of identical locks, fits all cases designed to be equipped with locks	40833
Spring anti-opening feature	all K 470 cases	40834
TSA shackle lock	all K 470 cases	46789
Shackle lock	all K 470 cases	46989



40626
Attaché insert



40627
Toolbag



41820
Lid bag



40730
Adjustable divider
panel system 1



40731
Adjustable divider
panel system 2



40735-40737
Pick 'n' Pluck foam set



40864-40866
Adjustable aluminium
divider set



40680
W 152 dolly trolley



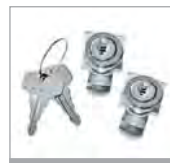
40738
Add-on castors



40739
Trolleys



40741, 40742
Clip-on castors



40832, 40833
Lock set



40834
Spring anti-opening
feature



46789
TSA shackle lock

Possible combinations

Order No.		40626	40627	40628	40730	40735, 40736	40864, 40865, 40866
	Description	Attaché insert	Toolbag	Box for small components	Adjustable divider panel system	Pick 'n' Pluck foam set	Aluminium divider set
40626	Attaché insert	-	-	-	✓	✓	-
40627	Toolbag	-	-	-	✓	✓	-
41820, 41821	Lid bag	-	-	-	✓	✓	✓
40730	Adjustable divider panel system	✓	✓	✓	-	-	-
40735, 40736	Pick 'n' Pluck foam set	✓	✓	✓	-	-	-
40864, 40865, 40866	Aluminium divider set	-	-	-	-	-	-

Note:

Combinations depend on the case heights. In some cases, it may be necessary, e. g. to shorten parts of the adjustable divider panel system or to leave out a layer of the Pick 'n' Pluck foam set.