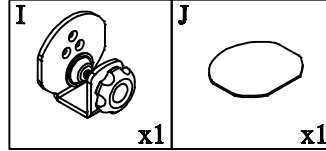
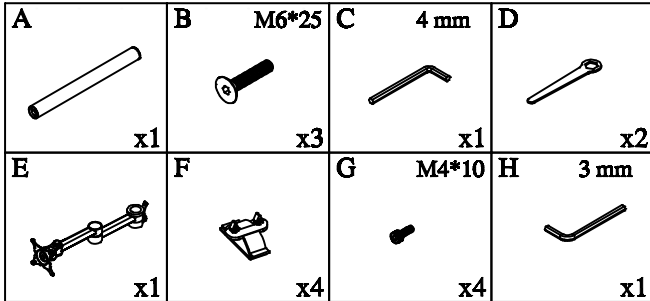
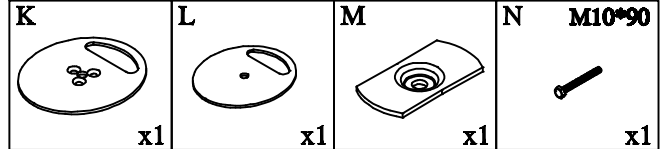


MODEL :ABL-HAFSA(N)-SR

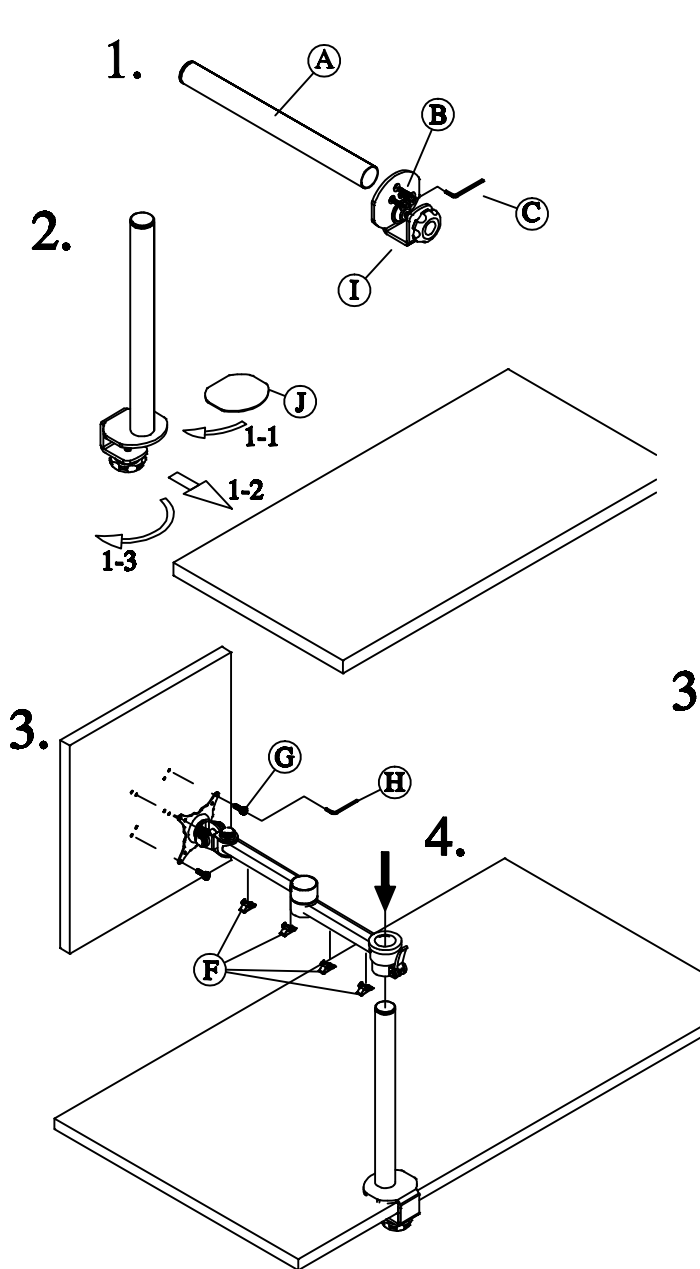
OPTION A./ Clamp to Edge



OPTION B./ Through Desk



OPTION A./ Clamp to Edge



OPTION B./ Through Desk

