

## TRUCK LOCKS

Specially designed devices to hold trucks or trolleys in a fixed position during loading or unloading. They are designed to enable a quick and easy change between the locked and free movement modes.

BZTL series truck locks are of a pressed steel construction with a zinc-plated finish (excluding BZTL4 which is cast iron with a black finish).

Mounting height	Retracted height	Plate type	Pressed steel	Cast iron
168	136	A	BZTL1	–
168	136	B	BZTL1 ISO	–
195	155	A	BZTL2	–
195	155	B	BZTL2 ISO	–
245	205	A	BZTL3	–
245	205	B	BZTL3 ISO	–
205	170	C	–	BZTL4
151	125	D	BZTL5	–
210	170	D	BZTL6	–

### MOUNTING

All BIL truck locks are top plate mounted and bolted to the underside of the trolley. The principle on which they work requires a constant gap between the unit and the floor, so it is best to mount the truck lock close to a castor, ensuring that it does not interfere with the free movement and operation of the castor. The mounting height shown in the table above is the gap between the truck lock top plate mounting surface and the floor. This is critical to correct operation – mounting pads, between the top plate and underside of the trolley, may be necessary to achieve this.

A step down foot-operated pedal moves a skid-resistant rubber pad into friction contact with the floor surface. This is done with a spring-loaded over-cam mechanism that does not lift the load and keeps the operating force low. It also means the load rating of the trolley is not relevant to the truck lock. A second step down pedal raises the footpad. The limited number of parts means there is less to maintain or go wrong.

Where a trolley has four swivel castors, two truck locks are required – one to be fitted at each end, either on the same side or diagonally opposite. Only one truck lock is required at the swivel end of a trolley that has two swivel and two fixed castors.

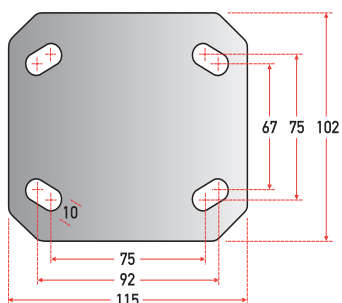




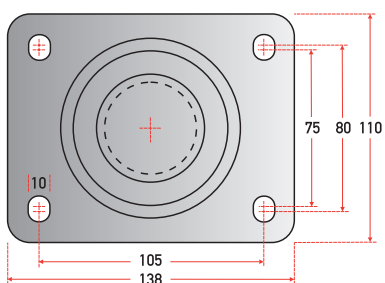
BZTL5-6

## PLATE TYPES AND DIMENSIONS (mm)

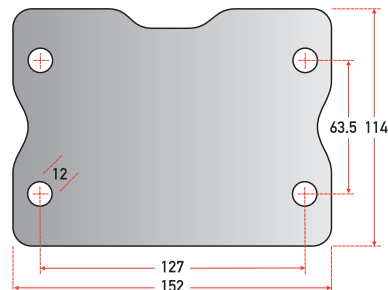
**Type A**



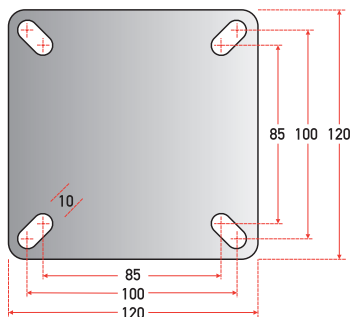
**Type B**



**Type C**



**Type D**



BZTL SERIES TRUCK LOCKS

**Merlin**  
Industrial Products Ltd

Supplied By  
Merlin Industrial Products LTD  
Kingsley Close, East Way  
Lee Mill Industrial Estate  
Ivybridge  
Devon  
PL21 9LL  
United Kingdom

www.merlin-industrial.co.uk  
sales@merlin-industrial.co.uk

Call: 0845 124 9955  
Fax: 0845 125 9955