

# RANGES

## BZSKS - PLATE AND STEM

∅ 35mm      300kg



Pages | 240



## BZSKL / 2BZSKL - PLATE

∅ 35-65mm      250-300kg



Pages | 241



## BZSKM / 2BZSKM - PLATE

∅ 40-125mm      200-460kg



Pages | 242



## BZSKH / 2BZSKM - PLATE

∅ 40-125mm      225-600kg



Pages | 243



## EZEELIFT SYSTEM - PLATE

∅ 40-125mm      60-120kg



Pages | 244 - 245



**BESPOKE SKATES MADE TO ORDER ASK FOR MORE DETAILS**



# BZSKS SERIES

The Central Heavy Duty Swivel Head, Mounted On Top Of The Triangular Base Plate, Carries The Load. It Has A Top Plate With Four Bolt Holes For Securing The Load And An Access Hole Is Provided In The Base Plate To Enable Mounting Bolts To Be Fitted.

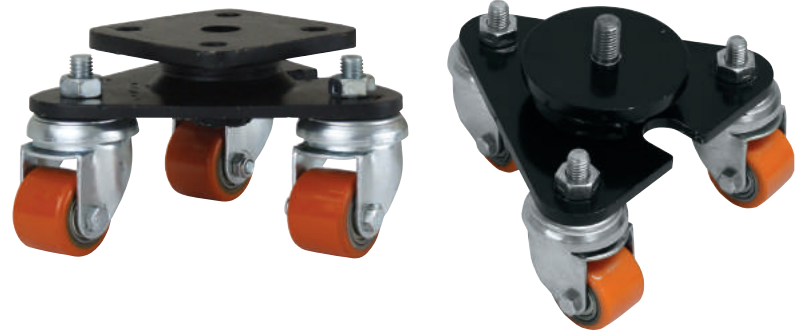


PLATE FIXING



STEM FIXING



300kg



35mm

## Top Plate Fixing

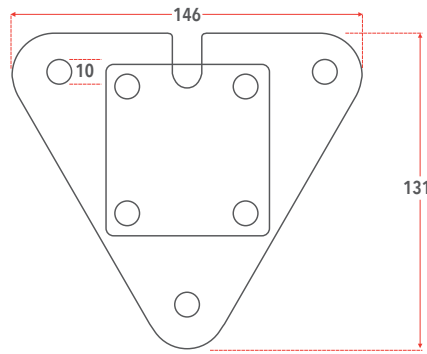
Dia (mm)	Height (mm)	Plate (mm)	Centres (mm)	Fixing Bolt (mm)	Type	Bearing	Code	Load (kg)	Tread (mm)	Swivel Dia (mm)
35	85	85 x 85	55 x 55	10			BZSKS35PTBJ	300	28	190



P 286

96 Shore A  
Orange Polyurethane  
On Cast Iron

-20°C to +80°C



## Stem Fixing

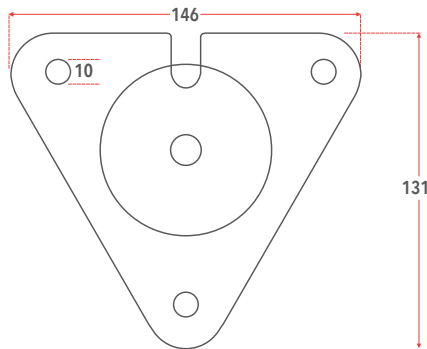
Dia (mm)	Height (mm)	Stem	Stem Length (mm)	Bearing	Code	Load (kg)	Tread (mm)	Swivel Dia (mm)
35	85	M12	25		BZSKS35PTBJST12	300	28	190



P 286

96 Shore A  
Orange Polyurethane  
On Cast Iron

-20°C to +80°C



# BZSKL / 2BZSKL SERIES

The Central Heavy Duty Swivel Head, Mounted On Top Of The Triangular Base Plate, Carries The Load. It Has A Top Plate With Four Bolt Holes For Securing The Load And An Access Hole Is Provided In The Base Plate To Enable Mounting Bolts To Be Fitted.



PLATE FIXING

250-300kg

35-65mm

## Top Plate Fixing Single Wheel Castor



Nylon  
-30°C to +80°C



94 Shore A  
Brown Polyurethane  
On Cast Iron

Dia (mm)	Height (mm)	Plate (mm)	Centres (mm)	Hole Diameter (mm)	Type	Bearing	P 256			P 286				
							Code	Load (kg)	Tread (mm)	Swivel Dia (mm)	Code	Load (kg)	Tread (mm)	Swivel Dia (mm)
35	84	115 x 85	80 x 60	8			-	-	-	BZSKL35PTBJ	250	28	272	
40	91	115 x 85	80 x 60	8			BZSKL40NYBJ	250	38	314	BZSKL40PTBJ	250	35	314
50	99	115 x 85	80 x 60	8			BZSKL50NYBJ	275	28	322	BZSKL50PTBJ	275	35	322
60	111	115 x 85	80 x 60	8			-	-	-	BZSKL60PTBJ	300	35	336	
65	114	115 x 85	80 x 60	8			BZSKL65NYBJ	300	37	338	-	-	-	

## Top Plate Fixing Twin Wheel Castor

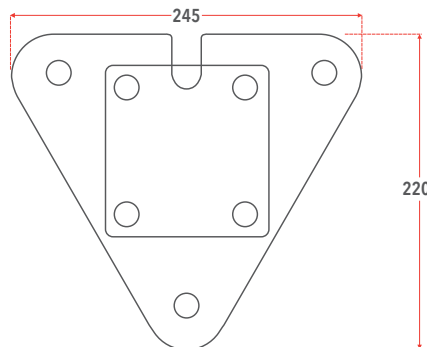


Nylon



94 Shore A  
Brown Polyurethane  
On Cast Iron

Dia (mm)	Height (mm)	Plate (mm)	Centres (mm)	Hole Diameter (mm)	Type	Bearing	P 256			P 286				
							Code	Load (kg)	Tread (mm)	Swivel Dia (mm)	Code	Load (kg)	Tread (mm)	Swivel Dia (mm)
48	95	115 x 85	80 x 60	8			-	-	-	2BZSKL48PTBJ	250	2 x 15	316	
50	99	115 x 85	80 x 60	8			2BZSKL50NY	275	2 x 17	322	2BZSKL50PT	275	2 x 14	322



# CASTOR & WHEEL MANUFACTURERS

## BZSKM / 2BZSKM SERIES

The Central Heavy Duty Swivel Head, Mounted On Top Of The Triangular Base Plate, Carries The Load. It Has A Top Plate With Four Bolt Holes For Securing The Load And An Access Hole Is Provided In The Base Plate To Enable Mounting Bolts To Be Fitted.



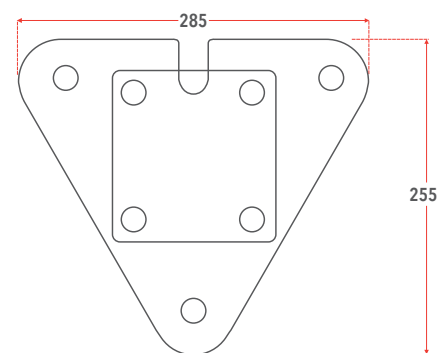
PLATE FIXING 40-125mm 200-460kg

### Top Plate Fixing Single Wheel Castor

Dia (mm)	Height (mm)	Plate (mm)	Centres (mm)	Fixing Bolt (mm)	Type	Bearing	Nylon				65 Shore A Blue High Quality Elastic Rubber On Nylon				96 Shore A Brown Polyurethane On Nylon				94 Shore A Brown Polyurethane On Cast Iron			
							P 256	-30°C to +80°C	P 270	-30°C to +80°C	P 280	-20°C to +80°C	P 286	-20°C to +80°C	Code	Load (kg)	Tread (mm)	Swivel Dia (mm)	Code	Load (kg)	Tread (mm)	Swivel Dia (mm)
40	101	138 x 109	105 x 80/75	10	⌘	ECB	BZSKM40NYBJ	360	39	300	-	-	-	-	-	-	-	BZSKM40PTBJ	200	30	300	
50	109	138 x 109	105 x 80/75	10	⌘	ECB	BZSKM50NYBJ	360	30	308	-	-	-	-	-	-	-	BZSKM50PTBJ	250	35	308	
60	121	138 x 109	105 x 80/75	10	⌘	ECB	-	-	-	-	-	-	-	-	-	-	-	BZSKM60PTBJ	360	35	337	
65	124	138 x 109	105 x 80/75	10	⌘	ECB	BZSKM65NYBJ	450	37	340	-	-	-	-	-	-	-	-	-	-	-	
80	147	138 x 109	105 x 80/75	10	⌘	ECB	BZSKM80NYB	460	35	370	BZSKM80SRNB	330	35	370	-	-	-	-	-	-	-	
						ECB	-	-	-	BZSKM80SRNB	-	-	-	-	-	-	-	BZSKM80PTBJ	460	36	370	
100	164	138 x 109	105 x 80/75	10	⌘	ECB	BZSKM100NYB	460	32	420	BZSKM100SRNB	460	36	420	BZSKM100XPNB	460	40	420	-	-	-	
						ECB	BZSKM100NYBJ	460	37	420	BZSKM100SRNB	-	-	-	BZSKM100XPNB	-	-	-	BZSKM100PTBJ	460	40	420
125	191	138 x 109	105 x 80/75	10	⌘	ECB	BZSKM125NYB	460	35	464	BZSKM125SRNB	460	36	464	BZSKM125XPNB	460	45	464	-	-	-	
						ECB	BZSKM125NYBJ	460	37	464	BZSKM125SRNB	-	-	-	BZSKM125XPNB	-	-	-	BZSKM125PTBJ	460	40	464

### Top Plate Fixing Twin Wheel Castor

Dia (mm)	Height (mm)	Plate (mm)	Centres (mm)	Fixing Bolt (mm)	Type	Bearing	Nylon				94 Shore A Brown Polyurethane On Cast Iron							
							P 256	-30°C to +80°C	P 286	-20°C to +80°C	Code	Load (kg)	Tread (mm)	Swivel Dia (mm)	Code	Load (kg)	Tread (mm)	Swivel Dia (mm)
48	105	138 x 109	105 x 80/75	10	⌘	ECB	-	-	-	2BZSKM48PTBJ	200	2 X 15	302					
50	109	138 x 109	105 x 80/75	10	⌘	ECB	2BZSKM50NY	360	2 X 14	308	2BZSKM50PT	250	2 X 14	308				





# BZSKH / 2BZSKH SERIES

The Central Heavy Duty Swivel Head, Mounted On Top Of The Triangular Base Plate, Carries The Load. It Has A Top Plate With Four Bolt Holes For Securing The Load And An Access Hole Is Provided In The Base Plate To Enable Mounting Bolts To Be Fitted.



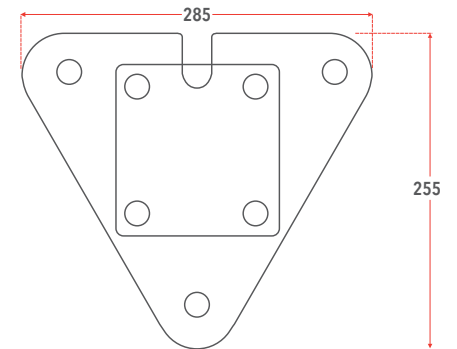
**PLATE FIXING 40-125mm 200-460kg**

## Top Plate Fixing Single Wheel Castor

Dia (mm)	Height (mm)	Plate (mm)	Centres (mm)	Fixing Bolt (mm)	Type	Bearing	Nylon				65 Shore A Blue High Quality Elastic Rubber On Nylon				96 Shore A Brown Polyurethane On Nylon				94 Shore A Brown Polyurethane On Cast Iron								
							Code	Load (kg)	Tread (mm)	Swivel Dia (mm)	Code	Load (kg)	Tread (mm)	Swivel Dia (mm)	Code	Load (kg)	Tread (mm)	Swivel Dia (mm)	Code	Load (kg)	Tread (mm)	Swivel Dia (mm)					
40	98	150 x 110	105/121 x 80/59	12	☺	☺	P 256	BZSKH40NYBJ	450	39	300	P 270	-	-	-	-	P 280	-	-	-	-	P 286	BZSKH40PTBJ	225	30	300	
50	106	150 x 110	105/121 x 80/59	12	☺	☺	P 256	BZSKH50NYBJ	450	30	308	P 270	-	-	-	-	P 280	-	-	-	-	P 286	BZSKH50PTBJ	270	35	308	
60	118	150 x 110	105/121 x 80/59	12	☺	☺	P 256	-	-	-	-	-	-	-	-	-	P 280	-	-	-	-	P 286	BZSKH60PTBJ	400	35	337	
65	121	150 x 110	105/121 x 80/59	12	☺	☺	P 256	BZSKH65NYBJ	450	37	340	P 270	-	-	-	-	P 280	-	-	-	-	P 286	-	-	-	-	
80	144	150 x 110	105/121 x 80/59	12	☺	☺	P 256	BZSKH80NYB BZSKH80NYBJ	550	35	370	P 270	BZSKH80SRNB BZSKH80SRNBJ	330	35	370	P 280	-	-	-	-	P 286	BZSKH80PTBJ	550	36	370	
100	161	150 x 110	105/121 x 80/59	12	☺	☺	P 256	BZSKH100NYB BZSKH100NYBJ	600	32 37	434	P 270	BZSKH100SRNB BZSKH100SRNBJ	460	36	434	P 280	BZSKH100XPNB BZSKH100XPNBJ	600	40	434	-	P 286	BZSKH100PTBJ	600	40	434
125	188	150 x 110	105/121 x 80/59	12	☺	☺	P 256	BZSKH125NYB BZSKH125NYBJ	600	35 37	464	P 270	BZSKH125SRNB BZSKH125SRNBJ	460	36	464	P 280	BZSKH125XPNB BZSKH125XPNBJ	600	45	464	-	P 286	BZSKH125PTBJ	600	40	464

## Top Plate Fixing Twin Wheel Castor

Dia (mm)	Height (mm)	Plate (mm)	Centres (mm)	Fixing Bolt (mm)	Type	Bearing	Nylon				94 Shore A Brown Polyurethane On Cast Iron					
							Code	Load (kg)	Tread (mm)	Swivel Dia (mm)	Code	Load (kg)	Tread (mm)	Swivel Dia (mm)		
48	102	150 x 110	105/121 x 80/59	12	☺	☺	P 256	-	-	-	P 286	2BZSKH48PTBJ	200	2 X 15	302	
50	106	150 x 110	105/121 x 80/59	12	☺	☺	P 256	2BZSKH50NY	360	2 X 14	308	P 286	2BZSKH50PTBJ	250	2 X 14	308



For additional fittings please see page ?



# EZEELIFT SYSTEM

The Ezee Lift System Is Ideal For Moving Bulky And Heavy Objects, Up To 1000kg, Over Short Distances Especially If These Movements Are Repetitive - In Line With Current Health And Safety And Manual Handling Regulations.



**PLATE FIXING 35-125mm 750-1000kg**



Powered by Bottled Co2 or Compressed Air (not supplied)

## Top Plate Fixing

Dia (mm)	Height Retracted (mm)	Height Extended (mm)	Centres (mm)	Fixing Bolt (mm)	Bearing	94 Shore A Polyurethane			Nylon			65 Shore A Blue High Quality Elastic Rubber On Nylon			96 Shore A Brown Polyurethane On Nylon		
						Code	Load (kg)	Tread (mm)	Code	Load (kg)	Tread (mm)	Code	Load (kg)	Tread (mm)	Code	Load (kg)	Tread (mm)
35	174	199	102 x 102	72 x 72		<b>P 286</b> EZK35PTBJ	750	28	<b>P 256</b> -	-	-	<b>P 270</b> -	-	-	<b>P 280</b> -	-	-
50	194	219	102 x 102	72 x 72		EZK50PTBJ	750	35	EZK50NYBJ	750	28	-	-	-	-	-	-
80	232	257	102 x 102	72 x 72		EZK80PABJ	850	40	EZK80NYBJ	850	32	EZK80SRNB	750	35	-	-	-
100	249	274	102 x 102	72 x 72		EZK100PTBJ	1000	40	EZK100NYBJ	1000	36	EZK100SRNB	850	36	EZK100XPNB	1000	40
125	278	303	102 x 102	72 x 72		EZK125PTBJ	1000	38	EZK125NYBJ	1000	37	EZK125SRNB	1000	36	EZK125XPNB	1000	45

\*Load rating stated are per kit of 4 cylinders

As used by professionals from theatres, concert halls, storage facilities and exhibition halls. For any sort of bulky equipment, machinery or property movement on a regular basis in theatres or warehouses for example - especially where space is constricted.

The system can also be run off your compressed air supply providing 10 bar is not exceeded.

Ezee lift saves times, manpower and is very safe to use so long as guidelines are followed.

- Three-wheeled for extra stability
- High load capacity
- Excellent manoeuvrability
- Stroke/rod length 25mm (longer strokes available at special request)
- Fully maintainable - internal replaceable seals
- Four bolt direct to cylinder fixing
- Individual exhaust valves controlling drop speed
- Individual in-line inlet valves controlling raise speed
- Designed to handle uneven loads with ease
- Flow controls can all be set with locking nuts
- Tube made from long-lasting polyurethane
- Easy assembly with push-fit connections
- Supplied with 10 bar single stage CO<sub>2</sub> regulator
- Compressed air regulator also available

Additional castor options available, please call us for full technical support

