

BARCELONA



Barcelona circular



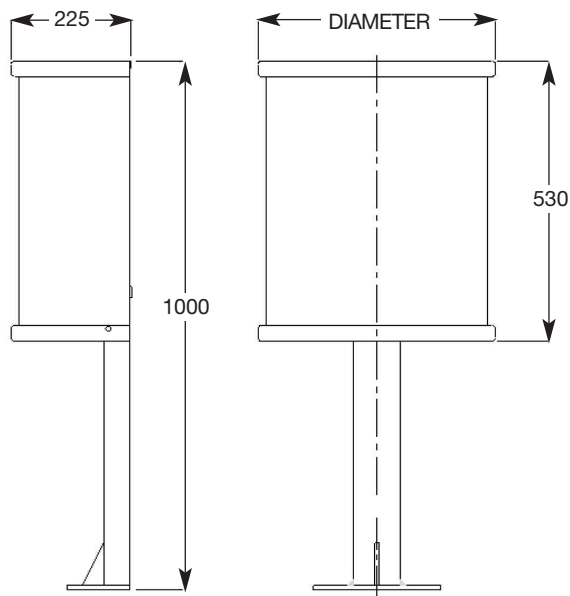
Barcelona semicircular

Contentur litter bins come in a wide variety of designs, they are made from polyethylene, steel or cast aluminium. They are readily adaptable to any urban environment such as historical settings, gardens and walkways, business districts and shopping centres.

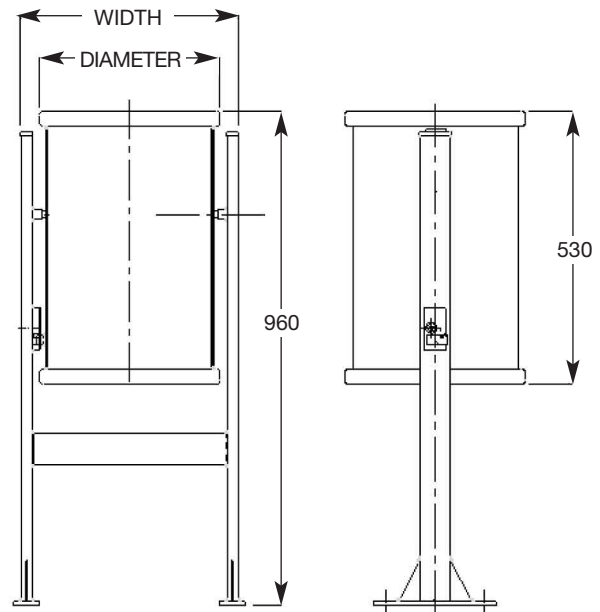
Contentur designs and manufactures its litter bins to procedures based on ISO 9001, and the Environmental

Management System also has ISO 14001 Quality Management certification.

The Contentur Group guarantees the quality of all its products, and on request can also offer a complete product maintenance programme. For more information, please contact our Technical Sales network.



SEMICIRCULAR



CIRCULAR

TECHNICAL SPECIFICATIONS

	Semicircular	Circular		Semicircular	Circular
CAPACITY (litres)	35	50-70	MAXIMUM WIDTH (mm)	450	465-520
BASKET DIAMETER (mm)	450	390-450	TOTAL HEIGHT (mm)	1000	960-960
BASKET HEIGHT (mm)	530	530-530	WEIGHT including support (kg)	15	14.4-16

GENERAL SPECIFICATIONS

■ The Barcelona litter bin is versatile and hard-wearing; it comes in two different versions: circular and semicircular. It has been designed for use in various urban settings such as pathways, gardens, parks etc.

■ The basket capacity is 35 litres for the semicircular version and either 50 or 70 litres for the circular model. It is made from 1.5 mm thick perforated steel plate, reinforced with two 30 x 15 x 1.5 mm thick oval profile tubular steel tubes; and can be simply removed for ease of handling and emptying by maintenance staff.

■ The support on the circular version comprises an H-shaped steel structure having an oval profile 60 x 20 x 1.5 mm thick, fitted with a lock.

■ The support on the semicircular version is a tubular steel structure 90 x 50 x 2 mm thick and fitted with a lock.

■ The Barcelona litter bin has a special powdered polyester finish, applied by robot and finished with automatic oven-hardening.

■ All parts have been corrosion-treated by cataphoresis, which means the unit will have high resistance to extreme weather conditions plus it will not suffer from rust points.

Supplied By:

Merlin

Industrial Products Ltd
sales@merlin-industrial.co.uk

Call 0845 124 9955 Fax 0845 125 9955