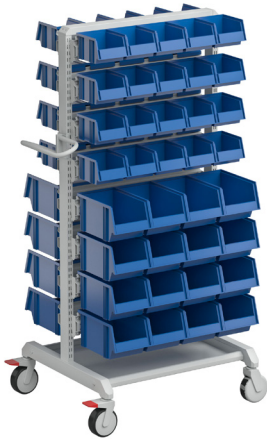


Basic trolley



Basic trolley 1



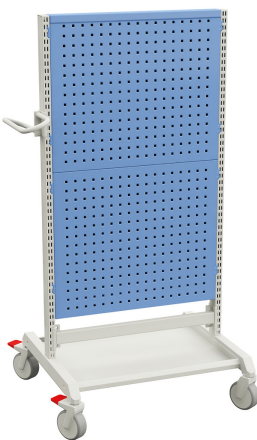
Basic trolley 2



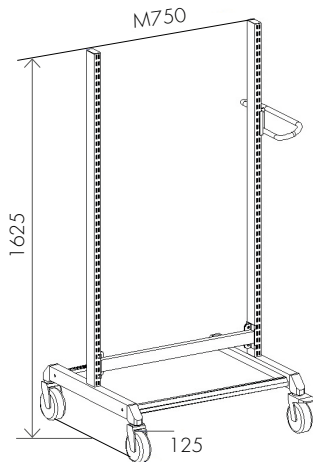
Basic trolley 3



Basic trolley 4



Basic trolley 5



Basic trolley frame

Equip your trolleys with shelves, tops and other accessories to fit any application, such as transportation or tool storage.

All trolleys are equipped with four swivel castors (\varnothing 125 mm), two of which have brakes. The basic trolley can be combined with all the M750 accessories.

Basic trolleys

Name	Size W x D x H mm	Max load kg	Code
Basic trolley 1*	780 x 715 x 1630	300	BT-170B
Basic trolley 2	800 x 715 x 1625	350	C 740 07 102
Basic trolley 3	800 x 715 x 1625	350	C 740 41 003
Basic trolley 4	800 x 715 x 1625	350	C 740 07 004
Basic trolley 5	800 x 715 x 1625	350	C 740 41 105
Basic trolley frame**	800 x 715 x 1625	350	859 859-41

* Up to 112 stacking bins can be attached to one trolley, must be ordered separately.

** Basic trolley frame includes bottom shelf and rubber mat.

Basic trolley accessories

Name	Size W x D x H mm	Max load kg	Code
Bottom shelf with rubber mat	720 x 560 x 32	150	852 719-41
Bottom shelf with HDPE plastic covering	720 x 560 x 32	150	852 683-41
Shelf with rubber mat*	720 x 560 x 32	150	852 720-41
Shelf with HDPE plastic covering*	720 x 560 x 32	150	852 684-41
Steel shelf*	720 x 560 x 32	150	852 685-49
Steel shelf	720 x 560 x 32	150	852 665-49
Extendable shelf*	720 x 580 x 33	50	852 687-49
Wash basket L-300	380 x 302 x 110	20	839 116-51
Waste basket			839 159-00
Waste basket holder			835 773-49
Paper roll holder	Roll dimensions max: width 240 mm, \varnothing 230 mm)		860 310-49
Flow-through shelf*	718 x 835 x 61	150	890 710-49

Trolleys can be combined with all the M750 accessories. For perforated panels, see p. 88, for R-hooks, see p. 90.

*including brackets