

## DIN 50

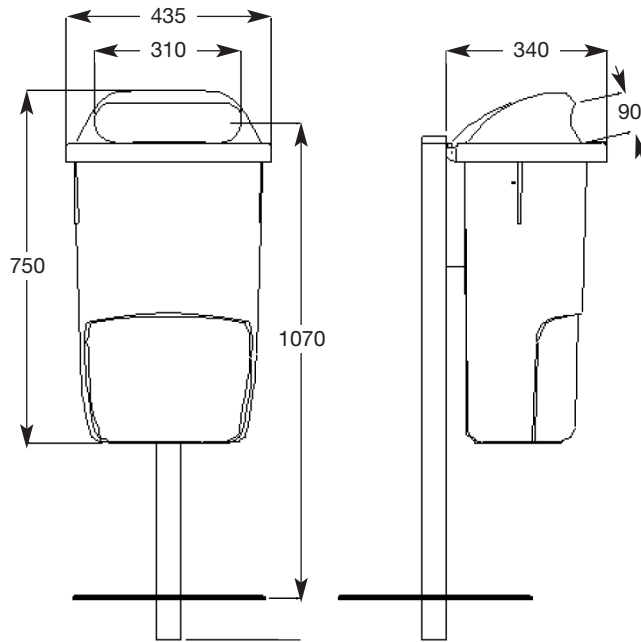


Contenur litter bins come in a wide variety of designs, they are made from polyethylene, steel or cast aluminium. They are readily adaptable to any urban environment such as historical settings, gardens and walkways, business districts and shopping centres.

Contenur designs and manufactures its litter bins to procedures based on ISO 9001, and the Environmental

Management System also has ISO 14001 Quality Management certification.

The Contenur Group guarantees the quality of all its products, and on request can also offer a complete product maintenance programme. For more information, please contact our Technical Sales network.



## TECHNICAL SPECIFICATIONS

CAPACITY	50 litres	DEPTH	340 mm
HEIGHT	750 mm	RECOMMENDED installation height	1070 mm
WIDTH	435 mm	WEIGHT	4.3 kg

## GENERAL SPECIFICATIONS

- With its smooth flowing lines the 50 litre capacity DIN litter bin has been designed based on the specifications of the DIN standard, and is suitable for any urban setting.
- The body and lid are injection moulded in solid-coloured high-density polyethylene stabilised against the combined effects of UV radiation and water, and are also resistant to bad weather, detergents, mould and bacteria.
- Manufactured using environmentally-friendly recyclable materials.
- Its smooth surface prevents build-up of dirt and makes cleaning easier.
- Stable colours using pigments that do not contain heavy metals.
- Lid with a large 310 x 90 mm opening for easy insertion of waste, designed to prevent water ingress.
- The 50 litre capacity body is easy to take apart for handling and emptying by maintenance staff, and has a large space on the front for your logo.
- A locking system utilising a standard key is provided to prevent unauthorised use by people other than the maintenance team.
- A mounting system manufactured from galvanised steel complying with standard DIN 30713. The system facilitates easy installation on streetlamps, posts, walls etc...
- A support made from I.H.A. F-112 steel plate, galvanised to prevent rusting.
- Space on the front to display a customised embossed logo or thermal transfer graphic - maximum dimensions 200 x 200 mm.
- Available in a wide range of colours.

Supplied By:

**Merlin**  
Industrial Products Ltd  
sales@merlin-industrial.co.uk

Call 0845 124 9955 Fax 0845 125 9955