

**EUROPA 130 L**

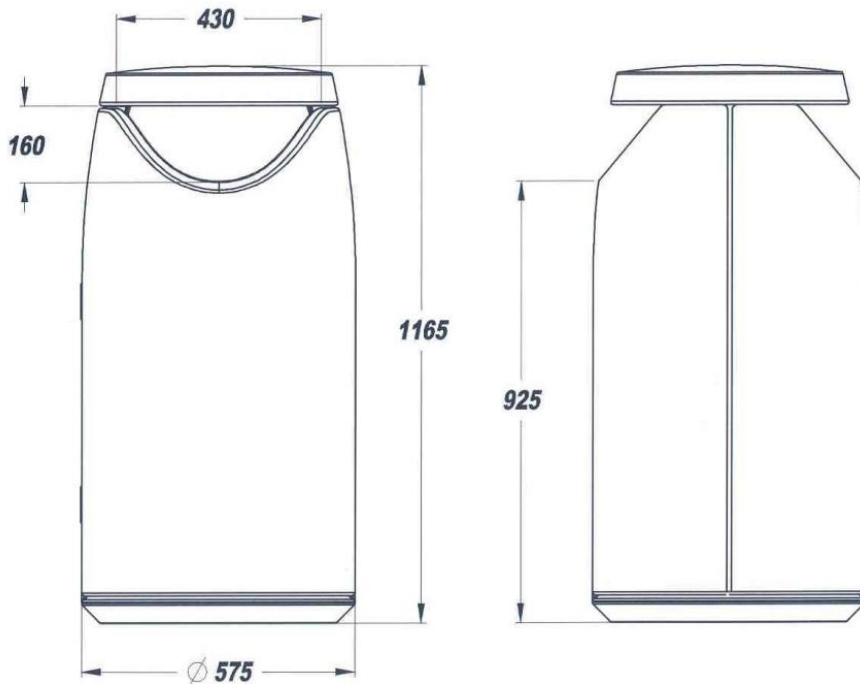
Europa litter bins are available in a matching range of shapes and sizes, in high-density polyethylene and with a versatile, innovative design. They are readily adaptable to any urban environment, such as historical settings, gardens and walkways, business districts and shopping centres.

The Europa range is available in two different sizes. The neat appearance of the 50 l bin makes it perfect for any urban environment; while the 130 l version's large capacity makes it ideal for use in busy public areas.

Contenur designs and manufactures Europa litter bins to procedures based on ISO 9001, and the Environmental Management System also has ISO 14001 Quality Management certification.

The Contenur Group guarantees the quality of all its products and installations, and on request can also offer clients end-to-end product maintenance, including labour and materials. For more information, please contact our Technical Sales network.

## Litter bins EUROPA 130 L



Capacity	130 l
Basket Capacity	120 L
Diameter	575 mm
Height	1165 mm
Weight without basket	21,80 kg

### TECHNICAL FEATURES

- The Europa 130 litter bin has been designed with a shape and size that make it ideal for use in busy urban areas.
- Manufactured in solid-coloured linear polyethylene and stabilised against the combined effects of UV radiation and water, and also resistant to bad weather, detergents, mould and bacteria.
- Metal parts treated with cataphoresis or hot galvanised to prevent corrosion.
- Its smooth surface prevents build-up of dirt and makes cleaning easier.
- The filling area comprises a lid joined to the body by two vertical latches, forming two large easily accessible openings.
- Circular 130 litre capacity body with an access hatch that occupies half of the body diameter and can open to 180°, making it easy to empty.
- 120 litre capacity basket made of polyethylene, equipped with a handle and wide integrated lifting area for easy handling.
- The fixing system comprises a support base built into the body which enables secure attachment to the pavement by four 12 mm diameter universal anchoring devices.
- A collection bag or two-compartment basket can be supplied on request for segregation of two types of waste.
- Can be customised by printing or a badge on the body measuring 190 x 190 mm maximum.
- Packaged in a cardboard box with the Contenur logo.

Supplied By:  
**Merlin**  
Industrial Products Ltd  
sales@merlin-industrial.co.uk

Call 0845 124 9955 Fax 0845 125 9955