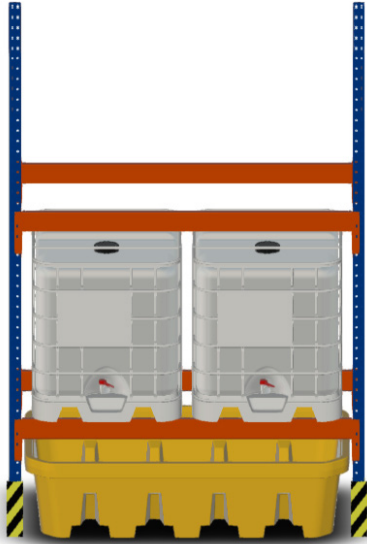


Technical Data

Under Rack Bund

SJ-UR22-XX



	 mm	 mm	 mm	 kg		 l	 kg
SJ-UR22-YE	575	2165	1300	???		1180	???



MADE FROM 100%
RECYCLABLE PE



UV
RESISTANT



CHEMICAL
RESISTANT



NESTABLE
RANGES



TESTED FOR WEIGHT AND
HYDROSTATIC LOADS

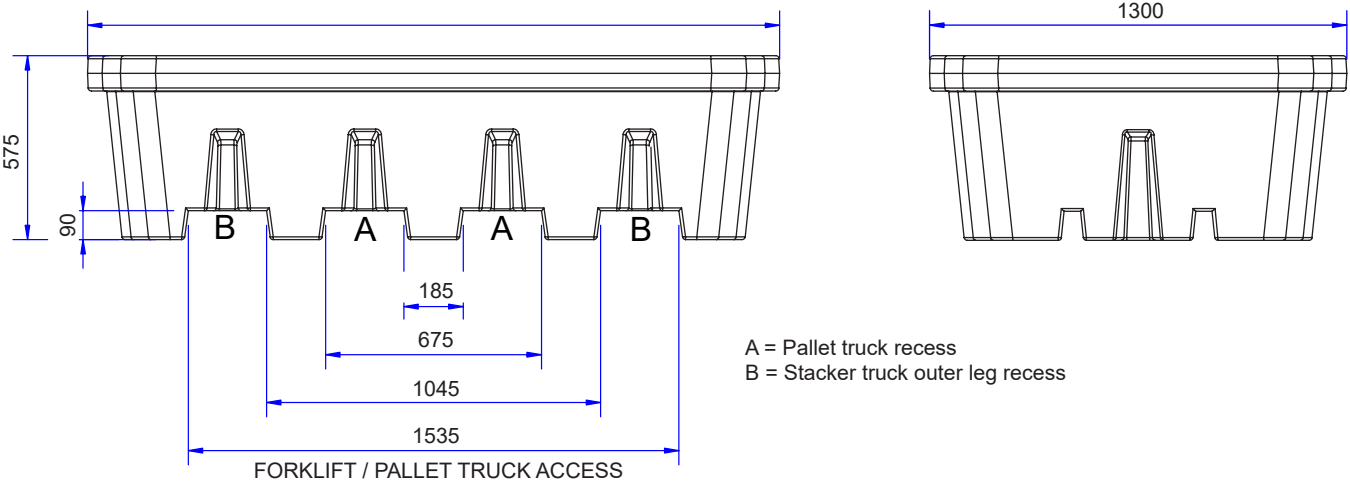


Unit A43 Kingsley Close, Lee Mill Industrial Estate Ivybridge Devon PL21 9LL United Kingdom
 Vat GB591551821 Company Number 02906480
 Dun and Bradstreet Number (581590544)
 NATO Code Number (NCAGE KD520)
www.merlin-industrial.co.uk
www.merlin-industrial.com
www.merlinblog.com
CALL 01752 690 622 EMAIL info@merlin-industrial.co.uk

Technical Data

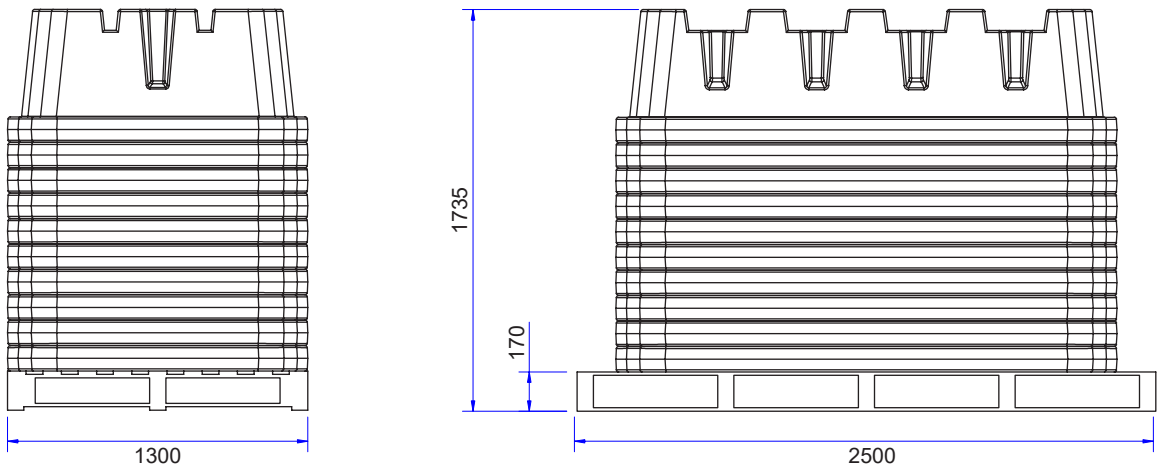
Under Rack Bund

SJ-UR22-XX



Palletisation

10 units per pallet



Unit A43 Kingsley Close, Lee Mill Industrial Estate, Ivybridge, Devon, PL21 9LL, United Kingdom
Vat GB591551821 Company Number 02906480
Dun and Bradstreet Number (581590544)
NATO Code Number (NCAGE KD520)
www.merlin-industrial.co.uk
www.merlin-industrial.com
www.merlinblog.com
CALL 01752 690 622 EMAIL info@merlin-industrial.co.uk