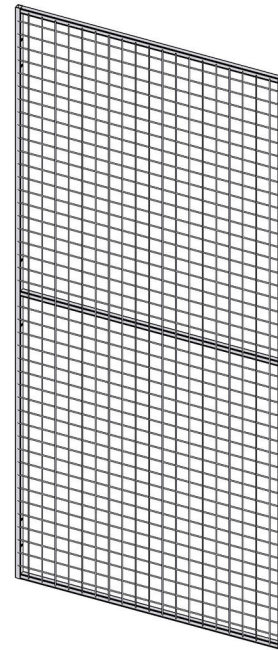


Storage system Troax Classic

Mesh Panel UR 350

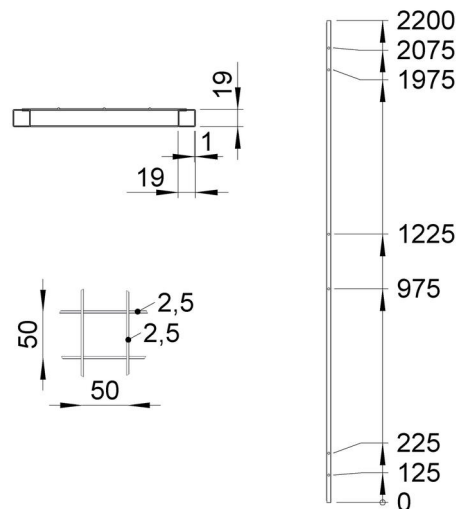
The UR350 panel system from Troax is a light-duty, modular mesh system that is suitable for creating added storage within a well protected environment. The system is ideal for creating inner partitioning walls within a secure storage application when used in conjunction with the Troax UX 450 & 550 panels. It can also be used on its own for applications where a lesser degree of security is required. The 50 x 50mm mesh aperture also makes it difficult for a hand to reach through the panel.



FACTS

Panel Dimensions	
Panel Height (mm)	Panel Width (mm)
2200	200
2200	300
2200	500
2200	700
2200	800
2200	1000
2200	1200
2200	1500

Mesh size: 50x50 mm, tube 19x19 mm, wire 2,5x2,5 mm



ACCESSORIES

Cut profile	various length to use after cut height on site
End profile UR/UX L=2200	to use after cut panel length on site
U-profile UR 19x19x2200	various length to use after cut on site

