

RANGES

JAB

∅ 80-125mm  120-200kg

Pages 228 - 229



JAZ

∅ 80-200mm  120-250kg

Pages 230 - 231



JAZHS

∅ 100-200mm  210-600kg

Pages 232 - 233



JAZXXH


∅ 150-200mm  350-1000kg


   

Pages 234 - 235



BZGC

∅ 100mm  75kg



Pages 236 - 237





JAB SERIES

Fabricated Steel Castor Jack,
Zinc Plated And Pressed Steel Castor Construction
Maximum Lift 160mm



120-200kg



80-125mm

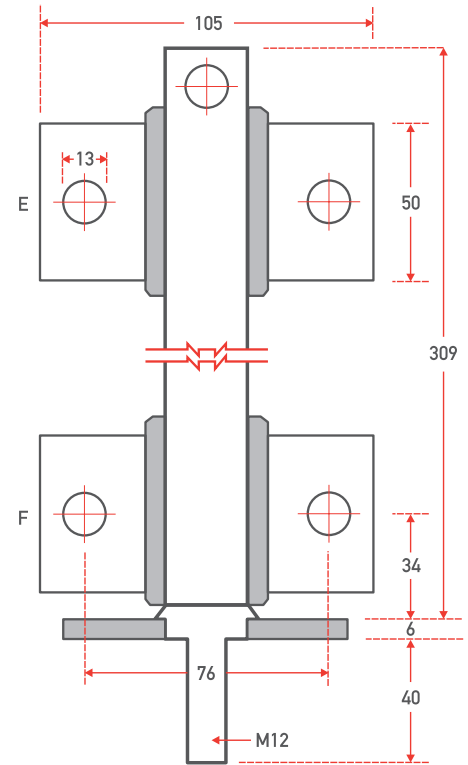
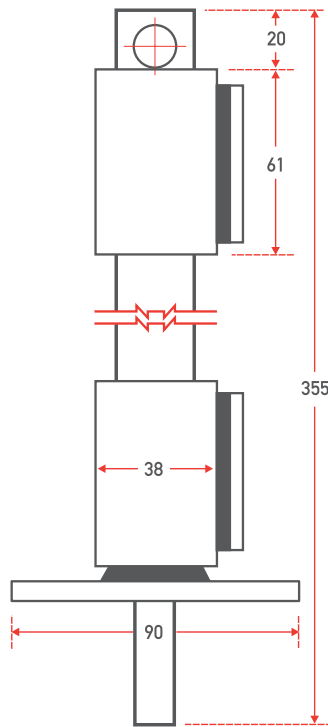
Dia (mm)	Height (mm)	Head Dia (mm)	Fixing Bolt (mm)	Type	Bearing	Nylon			65 Shore A Blue High Quality Elastic Rubber On Nylon			65 Shore A Black High Quality Elastic Rubber On Aluminium			92 Shore A Red Polyurethane On Nylon			94 Shore A Brown Polyurethane On Cast Iron			
						Code	Load (kg)	Tread (mm)	Radius (mm)	Code	Load (kg)	Tread (mm)	Radius (mm)	Code	Load (kg)	Tread (mm)	Radius (mm)	Code	Load (kg)	Tread (mm)	Radius (mm)
80	110	76	13	☐	☐	JAB80NY	-	-	-	JAB80SRN	-	-	-	JAB80NP	-	-	-	JAB80PTBJ	-	-	-
						JAB80NYB	200	35	78	JAB80SRNB	120	35	78	JAB80NPB	200	33	78	JAB80PTBJ	200	36	78
						JAB80LNYBJ	-	-	-	JAB80SRNB	-	-	-	JAB80NPB	-	-	-	JAB80PTBJ	-	-	-
				☐	☐	JAB80NYSWB	-	-	-	JAB80SRNSWB	-	-	-	JAB80NPSWB	-	-	-	JAB80PTBJSWB	-	-	-
						JAB80NYBSWB	200	35	125	JAB80SRNBSWB	120	35	125	JAB80NPBSWB	200	33	125	JAB80PTBJSWB	200	36	125
						JAB80LNYBJSWB	-	-	-	JAB80SRNBJSWB	-	-	-	JAB80NPBSWB	-	-	-	JAB80PTBJSWB	-	-	-
100	128	76	13	☐	☐	JAB100NY	-	-	-	JAB100SRN	-	-	-	JAB100NP	-	-	-	JAB100PTBJ	-	-	-
						JAB100NYB	200	32	90	JAB100SRNB	200	36	90	JAB100NPB	200	33	90	JAB100PTBJ	200	40	90
						JAB100LNYBJ	-	-	-	JAB100SRNB	-	-	-	JAB100NPB	-	-	-	JAB100PTBJ	-	-	-
				☐	☐	JAB100NYSWB	-	-	-	JAB100SRNSWB	-	-	-	JAB100NPSWB	-	-	-	JAB100PTBJSWB	-	-	-
						JAB100NYBSWB	200	32	120	JAB100SRNBSWB	200	36	120	JAB100NPBSWB	200	33	120	JAB100PTBJSWB	200	40	120
						JAB100LNYBJSWB	-	-	-	JAB100SRNBJSWB	-	-	-	JAB100NPBSWB	-	-	-	JAB100PTBJSWB	-	-	-
125	155	76	13	☐	☐	JAB125NY	-	-	-	JAB125SRN	-	-	-	JAB125NP	-	-	-	JAB125PTBJ	-	-	-
						JAB125NYB	200	35	104	JAB125SRNB	200	36	104	JAB125NPB	200	35	104	JAB125PTBJ	200	40	104
						JAB125LNYBJ	-	-	-	JAB125SRNB	-	-	-	JAB125NPB	-	-	-	JAB125PTBJ	-	-	-
				☐	☐	JAB125NYSWB	-	-	-	JAB125SRNSWB	-	-	-	JAB125NPSWB	-	-	-	JAB125PTBJSWB	-	-	-
						JAB125NYBSWB	200	35	125	JAB125SRNBSWB	200	36	125	JAB125NPBSWB	200	35	125	JAB125PTBJSWB	200	40	125
						JAB125LNYBJSWB	-	-	-	JAB125SRNBJSWB	-	-	-	JAB125NPBSWB	-	-	-	JAB125PTBJSWB	-	-	-

LOAD RATING

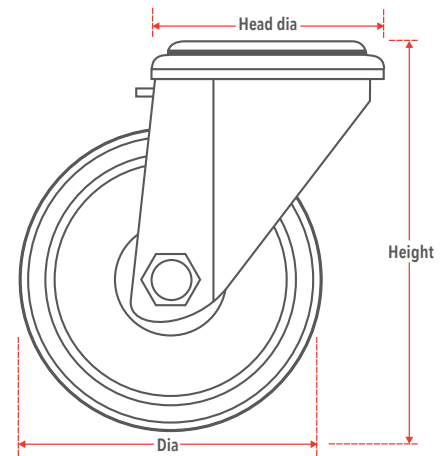
Jacking castors are rated on a different principle to other castors. They lift the load off the floor and therefore each castor is liable to carry half the total load. The minimum castor capacity required is obtained by taking...

$$\frac{\text{underladen unit weight} + \text{maximum load}}{2}$$





Lifting range is determined by mounting position of brackets E and F.



CASTOR & WHEEL MANUFACTURERS

JAZ SERIES

Fabricated Steel Castor Jack,
Zinc Plated And Pressed Steel Castor Construction
Maximum Lift 75mm

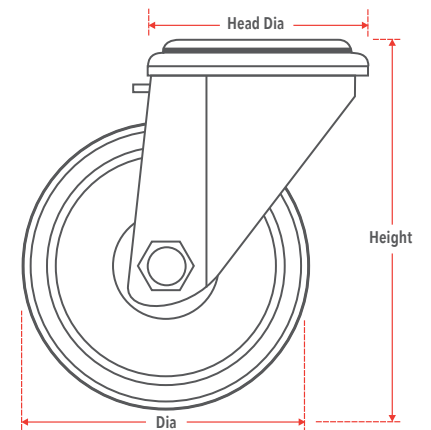
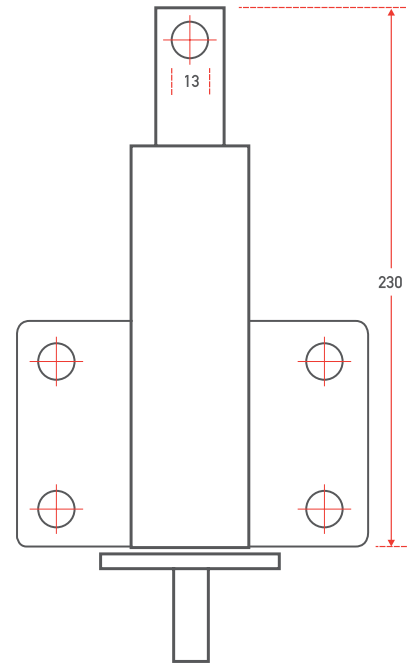
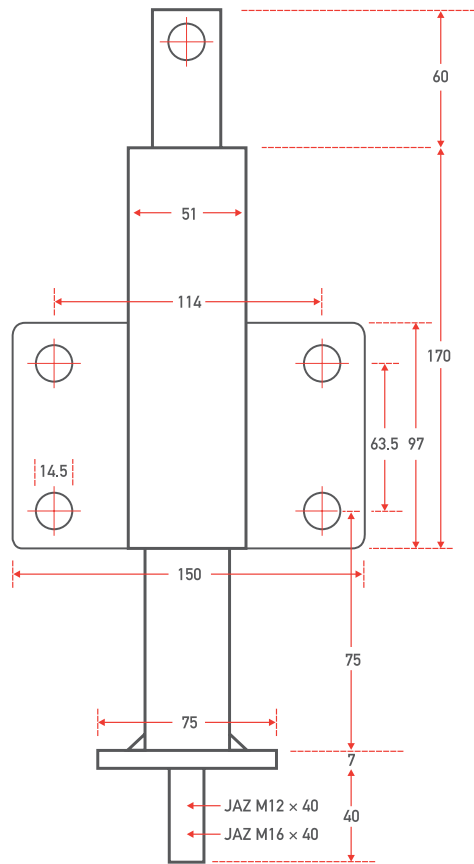
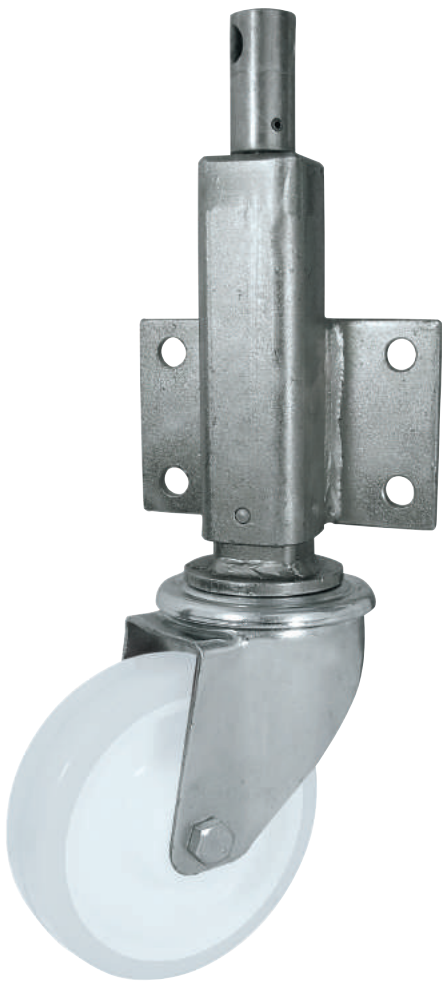


120-250kg



80-200mm

Dia (mm)	Height (mm)	Head Dia (mm)	Fixing Bolt (mm)	Type	Bearing	Nylon			65 Shore A Blue High Quality Elastic Rubber On Nylon			65 Shore A Black High Quality Elastic Rubber On Aluminium			92 Shore A Red Polyurethane On Nylon			94 Shore A Brown Polyurethane On Cast Iron								
						Code	Load (kg)	Tread (mm)	Radius (mm)	Code	Load (kg)	Tread (mm)	Radius (mm)	Code	Load (kg)	Tread (mm)	Radius (mm)	Code	Load (kg)	Tread (mm)	Radius (mm)	Code	Load (kg)	Tread (mm)	Radius (mm)	
80	110	76	14.5	SWIVEL	PLAIN	JAZ80NY	200	35	-	JAZ80SRN	-	-	-	JAZ80NP	200	33	-	-	-	-	-	-	-			
						JAZ80NYB	-	-	78	JAZ80SRNB	120	35	78	-	-	78	-	-	-	78	-	-	-	78		
						-	-	-	JAZ80SRNB	-	-	-	JAZ80ERBJ	180	40	-	-	-	JAZ80PTBJ	200	36	-	-	-		
					ROLLER	JAZ80NYSWB	200	35	-	JAZ80SRNSWB	-	-	-	-	-	-	JAZ80NPSWB	200	33	-	-	-	-	-	-	-
						JAZ80NYSWB	-	-	125	JAZ80SRNBSWB	120	35	125	-	-	125	-	-	125	-	-	-	-	-	125	
						-	-	-	JAZ80SRNBJSWB	-	-	-	JAZ80ERBJSWB	180	40	-	-	-	JAZ80PTBJSWB	200	36	-	-	-		
	128	76	14.5	SWIVEL	PLAIN	JAZ100NY	200	32	90	-	-	-	-	JAZ100NP	200	33	90	-	-	-	-	-	-			
						JAZ100NYB	200	32	90	JAZ100SRNB	200	36	90	-	-	90	-	-	-	90	-	-	90			
						JAZ100LNYBJ	200	36	-	JAZ100SRNB	-	-	-	JAZ100ERBJ	200	40	-	-	-	JAZ100PTBJ	200	40	-	-		
					ROLLER	JAZ100NYSWB	200	32	120	-	-	-	-	-	-	-	JAZ100NPSWB	200	33	120	-	-	-	-	120	
						JAZ100NYSWB	-	-	-	JAZ100SRNBSWB	200	36	-	-	-	120	-	-	120	-	-	-	-	120		
						JAZ100LNYBJSWB	200	36	-	JAZ100SRNBJSWB	-	-	-	JAZ100ERBJSWB	200	40	-	-	-	JAZ100PTBJSWB	200	40	-	-		
125	155	76	14.5	SWIVEL	PLAIN	JAZ125NY	200	35	104	-	-	-	-	JAZ125NP	200	35	104	-	-	-	-	-				
						JAZ125NYB	200	35	104	JAZ125SRNB	200	36	104	-	-	104	-	-	-	104	-	-	104			
						JAZ125LNYBJ	200	37	-	JAZ125SRNB	-	-	-	JAZ125ERBJ	200	40	-	-	-	JAZ125PTBJ	200	40	-	-		
					ROLLER	JAZ125NYSWB	200	35	125	-	-	-	-	-	-	-	JAZ125NPSWB	200	35	125	-	-	-	-	125	
						JAZ125NYSWB	-	-	-	JAZ125SRNBSWB	200	36	-	-	-	125	-	-	125	-	-	-	-	125		
						JAZ125LNYBJSWB	200	37	-	JAZ125SRNBJSWB	-	-	-	JAZ125ERBJSWB	200	40	-	-	-	JAZ125PTBJSWB	200	40	-	-		
	190	114	14.5	SWIVEL	PLAIN	JAZ150NY	250	45	128	-	-	-	-	JAZ150NP	250	40	128	-	-	-	-	-	-			
						JAZ150NYB	250	45	128	JAZ150SRNB	250	40	128	-	-	128	-	-	-	128	-	-	128			
						JAZ150LNYBJ	250	40	-	JAZ150SRNB	-	-	-	JAZ150ERBJ	250	50	-	-	-	JAZ150PTBJ	250	40	-	-		
					ROLLER	JAZ150NYSWB	250	45	167	-	-	-	-	-	-	-	JAZ150NPSWB	250	40	167	-	-	-	-	167	
						JAZ150NYSWB	-	-	-	JAZ150SRNBSWB	250	40	-	-	-	167	-	-	167	-	-	-	-	167		
						JAZ150LNYBJSWB	250	40	-	JAZ150SRNBJSWB	-	-	-	JAZ150ERBJSWB	250	50	-	-	-	JAZ150PTBJSWB	250	40	-	-		
238	114	14.5	SWIVEL	PLAIN	JAZ200NY	250	50	153h	-	-	-	-	JAZ200NP	250	50	153	-	-	-	-	-					
					JAZ200NYB	250	50	153	JAZ200SRNB	250	50	153	-	-	153	-	-	-	153	-	-	153				
					JAZ200LNYBJ	250	50	-	JAZ200SRNB	-	-	-	JAZ200ERBJ	250	50	-	-	-	JAZ200PTBJ	250	50	-	-			
				ROLLER	JAZ200NYSWB	250	50	167	-	-	-	-	-	-	-	JAZ200NPSWB	250	50	167	-	-	-	-	167		
					JAZ200NYSWB	-	-	-	JAZ200SRNBSWB	250	50	-	-	-	167	-	-	167	-	-	-	-	167			
					JAZ200LNYBJSWB	250	50	-	JAZ200SRNBJSWB	-	-	-	JAZ200ERBJSWB	250	50	-	-	-	JAZ200PTBJSWB	250	50	-	-			



LOAD RATING

Jacking castors are rated on a different principle to other castors. They lift the load off the floor and therefore each castor is liable to carry half the total load. The minimum castor capacity required is obtained by taking...

$$\frac{\text{underladen unit weight} + \text{maximum load}}{2}$$



JAZHS SERIES

Fabricated Steel Jack, Zinc Plated And Pressed Fabricated
Steel Castor Construction
Maximum Lift 200mm



210-600kg



100-200mm

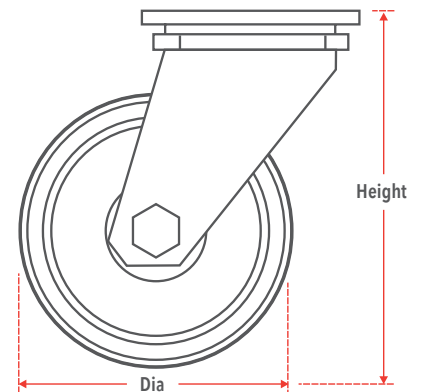
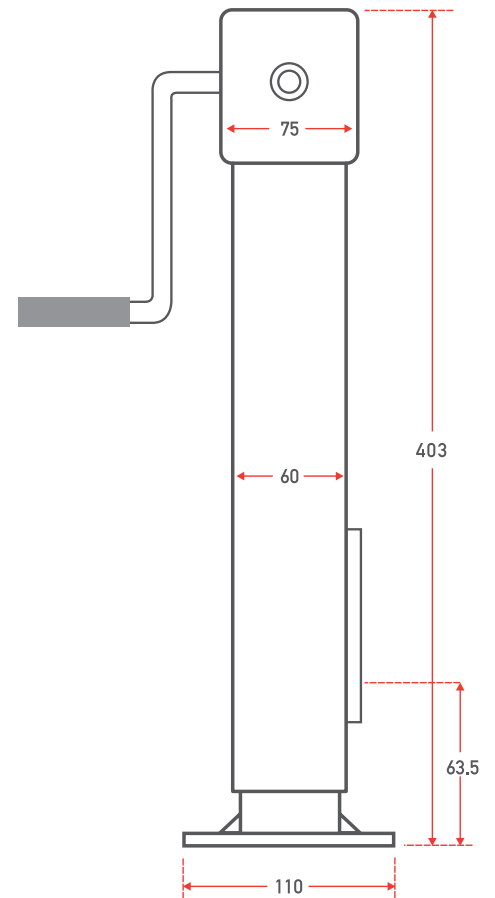
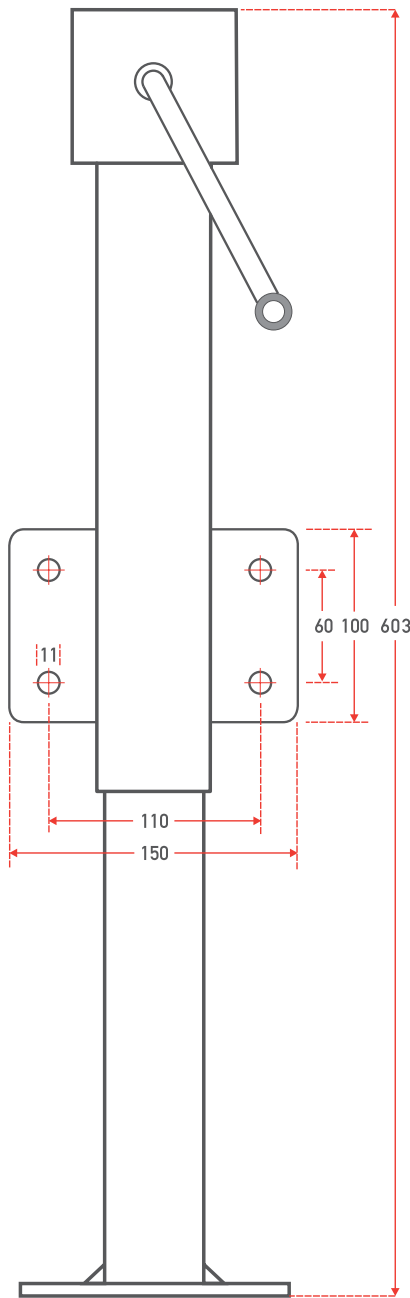
Dia (mm)	Height (mm)	Fixing Bolt (mm)	Type	Bearing	Nylon			65 Shore A Black High Quality Elastic Rubber On Aluminium			75 Shore A Black Elastic Rubber On Cast Iron			92 Shore A Red Polyurethane On Nylon			94 Shore A Brown Polyurethane On Cast Iron							
					Code	Load (kg)	Tread (mm)	Radius (mm)	Code	Load (kg)	Tread (mm)	Radius (mm)	Code	Load (kg)	Tread (mm)	Radius (mm)	Code	Load (kg)	Tread (mm)	Radius (mm)	Code	Load (kg)	Tread (mm)	Radius (mm)
100	143	11	SWIVEL	PLAIN	JAZHS100NY	400	35	85	-	-	-	85	-	-	-	-	-	-	-	-	-	-	85	
				ROLLER	JAZHS100NYBJ	600	40	-	JAZHS100ERBJ	250	50	-	JAZHS100CRBJ	210	50	-	JAZHS100PTBJ	300	40	-				
			BRAKED	PLAIN	JAZHS100NYSWB	400	35	105	-	-	-	105	-	-	-	105	-	-	-	-	-	-	-	105
				ROLLER	JAZHS100NYBJSWB	600	40	-	JAZHS100ERBJSWB	250	50	-	JAZHS100CRBJSWB	210	50	-	JAZHS100PTBJSWB	300	40	-				
125	165	11	SWIVEL	PLAIN	JAZHS125NY	-	-	-	-	-	-	-	-	-	-	-	-	-	-	-	-	-	-	
				ROLLER	JAZHS125NYBJ	600	45	101	-	-	-	101	-	-	-	101	-	-	-	101	-	-	-	101
			BRAKED	PLAIN	JAZHS125NYSWB	-	-	-	-	-	-	-	-	-	-	-	-	-	-	-	-	-	-	-
				ROLLER	JAZHS125NYBJSWB	600	45	110	-	-	-	110	-	-	-	110	-	-	-	110	-	-	-	110
150	190	11	SWIVEL	PLAIN	JAZHS150NY	-	-	-	-	-	-	-	-	-	-	-	-	-	-	-	-	-	-	
				ROLLER	JAZHS150NYBJ	600	45	120	-	-	-	120	-	-	-	120	-	-	-	120	-	-	-	120
			BRAKED	PLAIN	JAZHS150NYSWB	-	-	-	-	-	-	-	-	-	-	-	-	-	-	-	-	-	-	-
				ROLLER	JAZHS150NYBJSWB	600	45	145	-	-	-	145	-	-	-	145	-	-	-	145	-	-	-	145
200	241	11	SWIVEL	PLAIN	JAZHS200NY	-	-	-	-	-	-	-	-	-	-	-	-	-	-	-	-	-	-	
				ROLLER	JAZHS200NYBJ	600	50	156	-	-	-	156	-	-	-	156	-	-	-	156	-	-	-	156
			BRAKED	PLAIN	JAZHS200NYSWB	-	-	-	-	-	-	-	-	-	-	-	-	-	-	-	-	-	-	-
				ROLLER	JAZHS200NYBJSWB	600	50	156	-	-	-	156	-	-	-	156	-	-	-	156	-	-	-	156



LOAD RATING

Jacking castors are rated on a different principle to other castors. They lift the load off the floor and therefore each castor is liable to carry half the total load. The minimum castor capacity required is obtained by taking...

$$\frac{\text{underladen unit weight} + \text{maximum load}}{2}$$



JAZXXH SERIES

Fabricated Steel Jack And Castor
Maximum Lift 75mm



350-1000kg



150-200mm

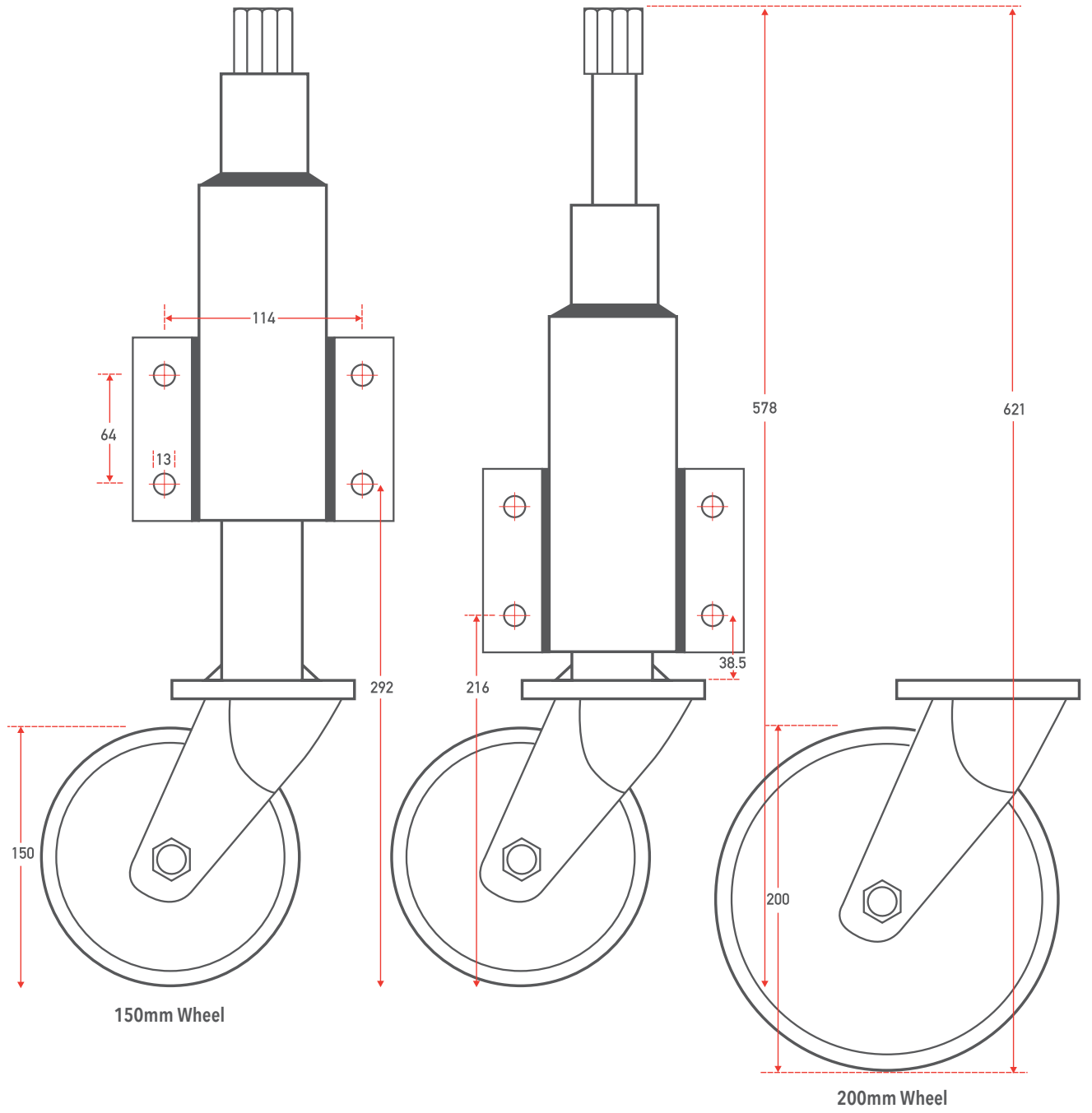
Dia (mm)	Height Lowered (mm)	Fixing Bolt (mm)	Type	Bearing	Nylon			65 Shore A Black High Quality Elastic Rubber On Aluminium			75 Shore A Black Elastic Rubber On Cast Iron			94 Shore A Brown Polyurethane On Cast Iron												
					Code	Load (kg)	Tread (mm)	Radius (mm)	Code	Load (kg)	Tread (mm)	Radius (mm)	Code	Load (kg)	Tread (mm)	Radius (mm)	Code	Load (kg)	Tread (mm)	Radius (mm)						
150	570	13	☞	☐	JAZXXHK150NY	800	-	-	P 256	-	-	-	P 272	-	-	-	P 274	-	-	-	P 286	-	-	-		
				☐	JAZXXHK150NYB	800	45	129	-	-	-	-	-	-	-	-	-	-	-	-	-	-	-	-	-	-
				☐	JAZXXHK150NYBJ	1000	-	-	JAZXXHK150ERBJ	350	50	-	JAZXXHK150CRBJ	350	50	129	JAZXXHK150PTBJ	750	50	129	-	-	-	-	-	-
200	621	13	☞	☐	JAZXXHK200NY	-	-	-	-	-	-	-	-	-	-	-	-	-	-	-	-	-	-	-		
				☐	JAZXXHK200NYB	1000	50	160	-	-	-	-	-	-	-	-	-	-	-	-	-	-	-	-	-	-
				☐	JAZXXHK200NYBJ	-	-	-	JAZXXHK200ERBJ	500	50	-	JAZXXHK200CRBJ	600	60	160	JAZXXHK200PTBJ	1000	50	160	-	-	-	-	-	-

LOAD RATING

Jacking castors are rated on a different principle to other castors. They lift the load off the floor and therefore each castor is liable to carry half the total load. The minimum castor capacity required is obtained by taking...

$$\frac{\text{underladen unit weight} + \text{maximum load}}{2}$$

2



150mm Wheel

200mm Wheel



BZGC SERIES

Specially Designed Castor Unit To Help Support The Ends
Of Wide Gates.

Fabricated Steel With A Black Finish



75kg



100mm



75 Shore A
Black Elastic Rubber
On Cast Iron

-20°C to +60°C

Dia (mm)	Fixing Bolt (mm)	Type	Bearing	Code	Load (kg)	Tread (mm)	Radius
100	8			BZGCS100CRBJ	75	40	90
100	8			BZGCF100CRBJ	75	40	-

