

SEMI-UNDERGROUND WASTE SYSTEMS



SURPRISE BAG

WITH DOUBLE BOTTOM

A BAG FULL OF POSSIBILITIES

BAGIO products are the perfect solution for locations with high quantities of waste in parks or service areas for example. BAGIO offers an invisible large fill volume and a comfortable height. The weight of the waste and gravity automatically compress the waste and reduce its volume. Infrequent emptying saves cost. The eco-friendly standard version of the BAGIO system comes

without print and decoration. Different colours and designs are available on request. BAGIO is a highly efficient modern semi-underground system with a clever bag system instead of a solid inner container. The bags are made from robust and recyclable polypropylene. The relatively low weight does not require special trucks for emptying, a standard truck with crane is sufficient.

FUNCTIONAL AND CONFORMING TO STANDARDS

ESE always takes into account the entire logistics and application chain when designing products, including requirements for filling, emptying, handling, health and safety. The bags for the new system are compliant with the EN 1898 / ISO 21898. The BAGIO system is produced in factories which are certified according to the ISO standard 9001.



BAGIO



Wood panel cladding

TECHNICAL DATA

	BIO BAGIO*	BAGIO 1	BAGIO 3	BAGIO 5
Volume (m ³)	0,6	1,3	3	5
Max. safe liner working load (kg)	600	1500	1500	2000
A Installation depth (mm)	1750	1750	1750	1750
B Visible container height (mm)	1250	1250	1250	1250
C Lid diameter (mm)	1150	1150	1500	1820

* Bio BAGIO: Standard BAGIO models come with regular bags - the Bio BAGIO is fitted with a more solid bag. In addition, the solid bag contains a 50 l tank for occurring liquids at the bottom.

SELECTION OF OPTIONS

- Recycling inserts: glass, paper or packaging
- Bespoke decoration for the fixed body
- Three different materials for the inner bag available
- Various locking systems and colours
- IRDC system (access control system)
- Level measurement system
- Camera information system
- "Four-point-system" for emptying
- Anchoring systems to prevent floating

These details are subject to technical changes. The products contain no substances on the SVHC list of the European Chemicals Agency (ECHA).



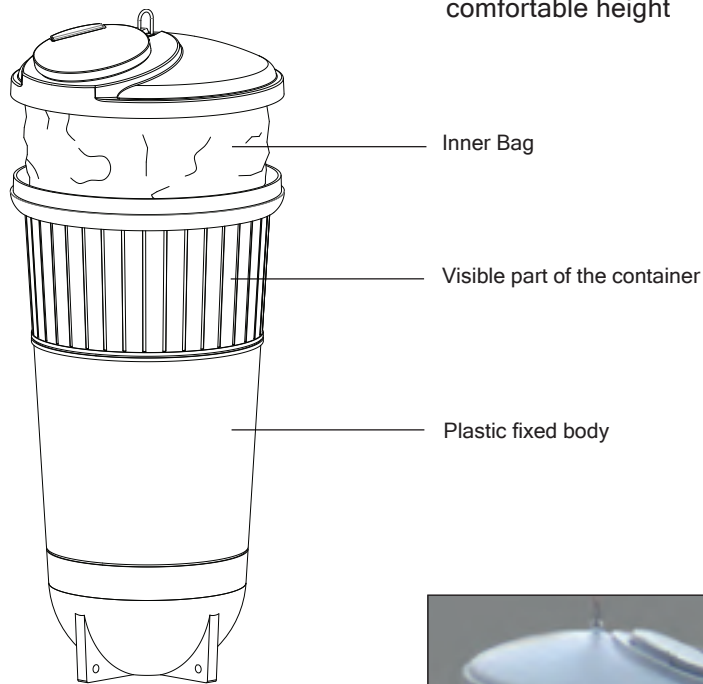
COMPREHENSIVE STANDARD

- Lightweight and robust due to roto-moulding production technique
- Thanks to a stable design no additional body reinforcement is required
- Double layer bag system for high stability
- Bags made from recyclable poly-propylene material
- High UV resistance of the visible part
- Very long product life with low maintenance
- The visible part of the container is available with different coatings

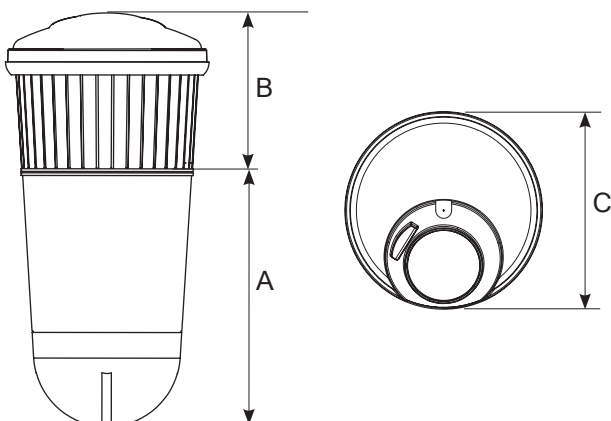
SUPERIOR ERGONOMICS

- Efficient design for optimised emptying, easy cleaning and maintenance
- Inner bag is fixed to the lid during emptying. This saves time.

- Innovative "One Point System" for a faster emptying process by just one person.
- Hygienically clean solution with automatic lid closure
- All sizes have the same comfortable height



DIMENSIONS



Fast emptying with the "One Hook System"